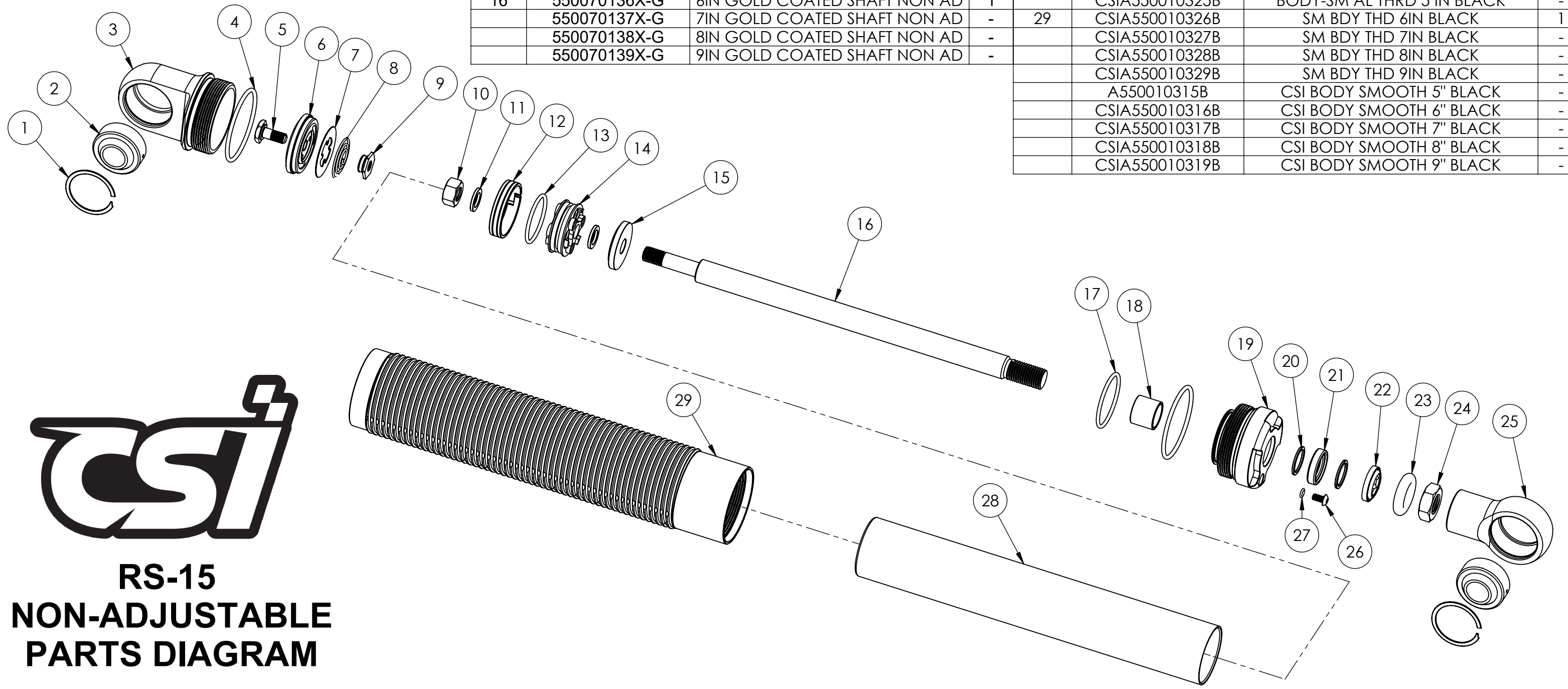


ITEM #	PART #	DESCRIPTION	QTY.	ITEM #	PART #	DESCRIPTION	QTY.
1	VH-106-S02	SHOCK BEARING CLIP	2	17	9452K77	RS-15 INNER ROD GUIDE O-RING	1
2	1081CSI	.500 SPHERICAL BEARING	2	18	0000152	BUSHING 0.500IN DU	1
3	BC100	BODY CAP	1	19	CSI55000051951B	ROD GUIDE 30MM TT BLACK	1
4	9262K198	ROD GUIDE OUTER O-RING	1	20	CSI550000147-RET	RETAINER CLIP	2
5	CSI550030110	BOLT COMP VALVE	1	21	CSI550000147-SEAL	SEAL 0.5IN	1
6	CSI55000052430	BASE VALVE 30MM DFL DSK 3P	1	22	RWD-0500	WIPER RWD 0.50IN	1
7	CSI550080171	COMP INTAKE VALVE DISC	1	23	9452K383	OIL SEAL - TRAVEL MARKER	1
8	CSI550080170	COMP INTAKE VALVE SPRING	1	24	94846A520	NUT 7/16-20 JAM	1
9	CSI550030109	NUT COMP VALVE	1	25	RES100	CSI ROD END 7/16-20	1
10	94895A810	NUT 5/16-24 GR5 ZINC	1	26	92949A131	5-40 ROD GUIDE-BODY BLEED SCREW	1
11	950060	.500X.060 WASHER	2	27	9262K441	QM RG BLEED SCREW O-RING	1
12	PB100	CSI SB TT PISTON BAND	1		PT-05-1	TUBE 30MM PRESSURE 5IN	-
13	9452K74	PISTON O-RING	1	28	PT-06-1	TUBE 30MM PRESSURE 6IN	1
14	12600	TALL PORT TWIN TUBE PISTON	1		PT-07-1	TUBE 30MM PRESSURE 7IN	-
15	12400	BILLET TOP OUT PLATE TT	1		PT-08-1	TUBE 30MM PRESSURE 8IN	-
	550070135X-G	5IN GOLD COATED SHAFT NON AD	-		PT-09-1	TUBE 30MM PRESSURE 9IN	-
16	550070136X-G	6IN GOLD COATED SHAFT NON AD	1		CSIA550010325B	BODY-SM AL THRD 5 IN BLACK	-
	550070137X-G	7IN GOLD COATED SHAFT NON AD	-	29	CSIA550010326B	SM BDY THD 6IN BLACK	1
	550070138X-G	8IN GOLD COATED SHAFT NON AD	-		CSIA550010327B	SM BDY THD 7IN BLACK	-
	550070139X-G	9IN GOLD COATED SHAFT NON AD	-		CSIA550010328B	SM BDY THD 8IN BLACK	-
					CSIA550010329B	SM BDY THD 9IN BLACK	-
					A550010315B	CSI BODY SMOOTH 5" BLACK	-
					CSIA550010316B	CSI BODY SMOOTH 6" BLACK	-
					CSIA550010317B	CSI BODY SMOOTH 7" BLACK	-
					CSIA550010318B	CSI BODY SMOOTH 8" BLACK	-
					CSIA550010319B	CSI BODY SMOOTH 9" BLACK	-



**RS-15
NON-ADJUSTABLE
PARTS DIAGRAM**