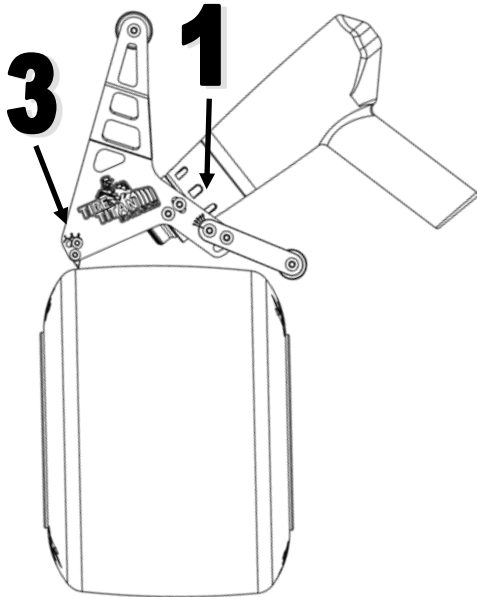
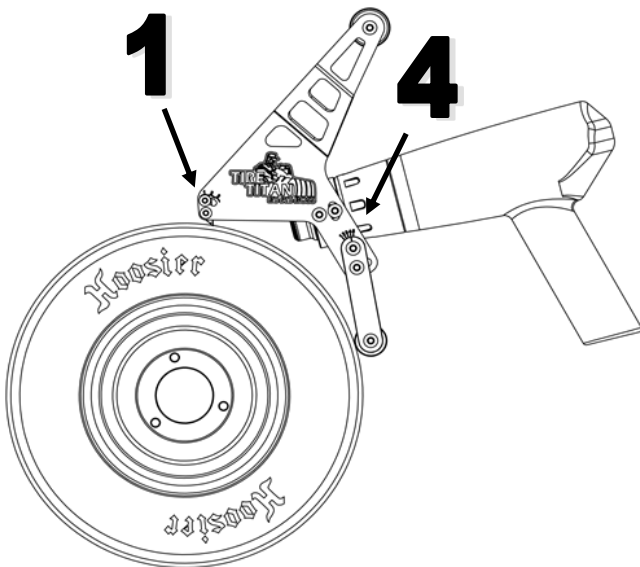




The Tire Titan is a quality tool that is designed to last a long time with proper care. We recommend scrapping the tires on the highest of 3 temp settings. Before shutting off the heat gun be sure to run the gun on the lowest heat setting for at least 30 seconds. If you prefer to always scrape the tires side to side you can remove the roller assembly.



The Tire Titan is a versatile tool that allows you to scrape your tires in ether orientation, by simply rotating the angle of the stainless steel blade and roller. We have identified the settings we've found to work best for the different scrapping techniques.



**WARNING!** Any piece of equipment can be dangerous if not operated properly. You are responsible for the operation of this equipment. Exposing the heat gun to liquid or water may cause an electrical hazard. The Tire Titan produces extreme heat, never touch the end of the gun or the stainless steel blade.